

- He was the child of the Enlightenment and the Revolution
- He had a deep sense of moral responsibility to the people of France
- He advocated an invasion of Britain in the 1770s
- He was born the illegitimate son of a Corsican priest
- He had no formal military training before he volunteered for army service

## PowerLite<sup>®</sup> X12 MULTIMEDIA PROJECTOR



### Future-proof connectivity from an affordable XGA projector.

Featuring XGA resolution and 2800 lumens of color/white light output<sup>1</sup>, the PowerLite X12 produces crisp, bright presentations in any classroom or conference room, all at an affordable price. Thanks to HDMI digital connectivity, you can connect to the latest laptops and media players for high-quality audio and video with just one cable. Or, use the 3-in-1 USB Plug 'n Play instant setup and easy-slide horizontal keystone correction to get your PowerLite X12 up and running quickly. Present PC-free slideshows or connect to an Epson DC-06 document camera via the USB (Type A) port for added versatility. Closed captioning is included as well. The PowerLite X12 has all the tools you need for bright, engaging classroom presentations.

**Crisp, bright presentations** — XGA resolution and 2800 lumens color/white light output<sup>1</sup>

**Enhanced connectivity** — HDMI, RS-232c, PC-free slideshows and direct connection to the Epson DC-06 document camera via USB

**3-in-1 USB Plug 'n Play instant setup** — display your presentation, transmit audio and control your presentation — all with one standard USB connection

**Easy setup and greater positioning flexibility** — 1.2x optical zoom, +/- 30 degrees horizontal and vertical keystone correction and Quick Corner<sup>®</sup>



# PowerLite® X12 MULTIMEDIA PROJECTOR

## The best-selling projectors in the world

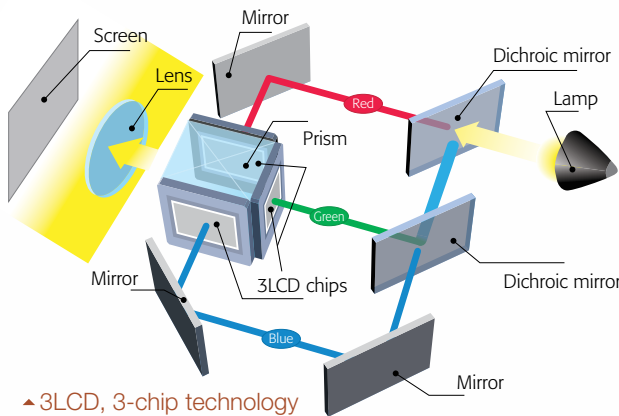
Epson understands education and has a solution no matter what your teaching scenario. Built with image quality and reliability in mind, Epson projectors enhance communication and inspire collaboration, while offering a low total cost of ownership. From long-throw projectors to ultra-short-throw, interactive, and all-in-one solutions, Epson has the model made for you.



### 3LCD technology — for quality and color that's beyond amazing

#### Innovative technology with proven reliability

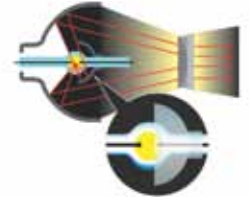
- 3 chips for full-time, vibrant color
- 25% less electricity required per lumen of brightness when compared to 1-chip DLP projectors<sup>2</sup>
- Over 20 years of road-tested reliability built into every projector



▲ 3LCD, 3-chip technology

### Energy-efficient E-TORL® lamp, exclusively from Epson

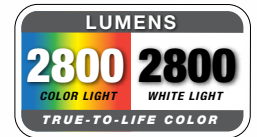
- Delivers more lumens per watt and lasts up to 5000 hours<sup>3</sup>
- Minimizes both light diffraction and light leakage
- Maximizes your presentation time, while minimizing your costs



▲ E-TORL lamp

### Amazing color and white light output

- 2800 lumens color light output and 2800 lumens white light output<sup>1</sup>
- High color light output for bright, balanced, colorful images
- White light output that's measured using ISO 21118 (a more rigid standard than the outdated ANSI lumens rating used by competitive products)



### High-quality images with HDMI digital connectivity

- Delivers both audio and brilliant video content with just one cable
- Compatible with the latest laptops, Blu-ray® and media players



### Enhanced connectivity

- RS-232c to connect to an A/V control device
- Partner your projector directly with the Epson DC-06 document camera via the USB Type A port
- Deliver PC-free slideshows using a USB flashdrive (supports JPEG, PNG, GIF and BMP files)



▲ Compact and portable design

### Better Products for a Better Future™

For more information on Epson's environmental programs, go to [eco.epson.com](http://eco.epson.com)



#### Eco Features

- Energy-efficient 3LCD light engine
- Energy-efficient E-TORL lamp
- Designed to be recycled<sup>4</sup>
- RoHS compliant
- Epson America, Inc. is a SmartWay<sup>SM</sup> Transport Partner<sup>5</sup>





## Advanced 3-in-1 USB Plug 'n Play instant setup — for Windows® and Mac®

- Three features, all with one standard USB connection
  - Display your presentation
  - Transmit audio
  - Control your presentation

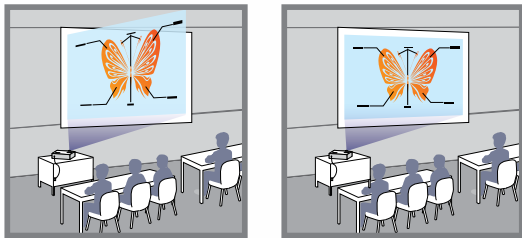


## Easy setup and picture adjustments

- 1.2x optical zoom — for better positioning flexibility
- + /- 30 degrees vertical keystone correction — allows for easy adjustments when the projector is placed above or below the center of the projection screen

## Horizontal keystone correction with easy-slide control

- Project an accurate rectangular image from nearly any angle. Even if your projector is placed to the left or right of the screen, you can make your presentation front and center.
- Use the easy-slide control bar to adjust the image until it reaches the shape/position you desire.



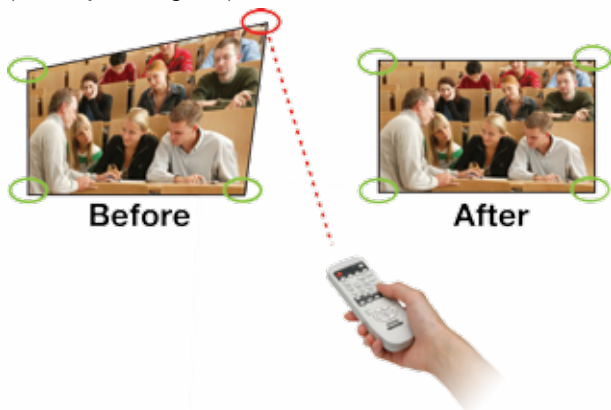
Without horizontal keystone    With horizontal keystone



New easy-slide image correction control bar

## Quick Corner

- This innovative feature allows you to move any of the four corners of an image independently, to adjust each corner for a perfectly rectangular picture



## PowerLite X12 Additional Features

- **Built-in 2 W speaker** — enhance your lessons and presentations with sound
- **Carrying case included** — for easy portability and protection when stored
- **Remote control included** — new design for easy navigation
- **Sleek, compact design** — fits in any classroom or conference room

## Quick, convenient control

- **Instant Off®** — no cool-down time required; it's ready to shut down when you are
- **A/V Mute Slide** — control your presentation; it's right at your fingertips
- **Direct Power On/Off** — power the projector on/off with the flip of a wall switch



## Energy saving features

- **Sleep Mode** — set from 1 to 30 minutes to save energy when no signal is detected
- **ECO Mode** — change the power consumption settings to ECO mode to reduce lamp brightness and fan noise, and save power and lamp life.

## Built-in closed captioning

- Helps meet ADA 508 requirements for students with hearing impairments
- No need to pay for an additional decoder and its installation
- Easily enabled or disabled through the projector remote or menu



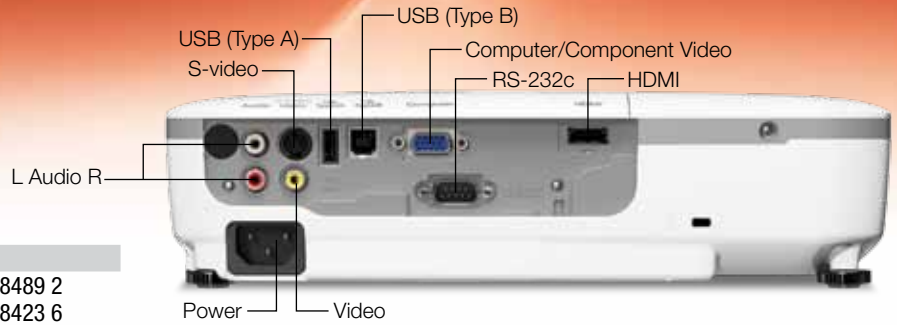
## High-efficiency filter

1.3x bigger surface area than our previous generation adds a higher level of protection.



# PowerLite<sup>®</sup> X12

## Multimedia Projector



| Product Name            | Product Code | UPC             |
|-------------------------|--------------|-----------------|
| PowerLite X12 Projector | V11H429020   | 0 10343 88489 2 |
| Genuine Epson Lamp      | V13H010L67   | 0 10343 88423 6 |
| Replacement Air Filter  | V13H134A32   | 0 10343 88586 8 |

### Specifications

**Projection System**  
3LCD, 3-chip technology

**Projection Method**  
Front/rear/ceiling mount

**Driving Method**  
Poly-silicon TFT Active Matrix

**Pixel Number**  
786,432 dots (1024 x 768) x 3

**Color Light Output<sup>1</sup>**  
2800 lumens

**White Light Output<sup>1</sup>**  
2800 lumens (ISO 21118 Standard)

**Aspect Ratio**  
4:3

**Native Resolution**  
1024 x 768 (XGA)

**Resize**  
640 x 480 (VGA), 800 x 600 (SVGA),  
1152 x 864 (SXGA1), 1280 x 800 (WXGA),  
1280 x 960 (SXGA2), 1280 x 1024 (SXGA3),  
1280 x 768 (WXGA60-1), 1360 x 768 (WXGA60-2),  
1400 x 1050 (SXGA+), 1440 x 900 (WXGA+),  
1600 x 1200 (UXGA60)

**Lamp Type**  
200 W UHE (E-TORL)

**Lamp Life<sup>3</sup>**  
Up to 5000 hours (ECO Mode)  
Up to 4000 hours (Normal Mode)

**Throw Ratio Range**  
1.48 – 1.77 (4:3)

**Size (projected distance)**  
30" – 300" (2.9' – 35.9')

**Keystone Correction**  
Vertical: ± 30 degrees (Automatic)  
Horizontal: ± 30 degrees (Slider)

**USB Plug 'n Play**  
Projector is compatible with PC and Mac computers

**Contrast Ratio**  
Up to 3000:1

**Color Reproduction**  
16.77 million colors

### Projection Lens

**Type**  
Manual focus

**F-number**  
1.58 – 1.72

**Focal Length**  
16.9 – 20.28 mm

**Zoom Ratio**  
Optical zoom 1.0 – 1.2

### Other

**Display Performance**  
NTSC: 480 lines  
PAL: 560 lines  
(Depends on observation of the multi-burst pattern)

**Input Signal**  
NTSC/NTSC4.43/PAL/M-PAL/N-PAL/PAL60/SECAM/SDTV/HDTV

**Interfaces**  
HDMI x 1  
Computer/component video: D-sub 15 pin x 1  
S-video: Mini DIN x 1  
Composite video: RCA (Yellow) x 1  
Audio in: RCA x 1 (L and R)  
USB connector: Type B x 1 (USB display, audio and mouse control)  
USB connector: Type A x 1 (USB memory/document camera)  
Monitor out: D-Sub 15 pin x 1  
Serial: RS-232c x 1

**Speaker**  
2 W (mono)

**Operating Temperature**  
41 ° to 95 °F (5 ° to 35 °C)

**Power Supply Voltage**  
100 – 240 V ±10%, 50/60 Hz

**Power Consumption**  
283 W (Normal Mode)  
2.9 W Standby (Communication On)  
0.4 W Standby (Communication Off)

**Fan Noise**  
37 dB (Normal Mode)  
29 dB (ECO Mode)

**Security**  
Kensington<sup>®</sup>- style lock provision, padlock and security anchor bar

### Dimensions (W x D x H)

Including feet: 11.6" x 9.0" x 3.1"  
Excluding feet: 11.6" x 9.0" x 3.0"  
Weight: 5.1 lb (2.3 kg)

### Remote Control

**Features**  
Source search, computer, video, USB, power, aspect, color mode, volume, e-zoom, A/V mute, freeze, menu, esc, enter, page up and down, help, auto, mouse functions, user, num, pointer

**Operating Angle**  
Right/left: ± 30 degrees  
Upper/lower: ± 15 degrees

**Operating Distance**  
19.7' (6 m)

### Support

**The Epson Connection<sup>SM</sup>**  
Pre-sales support (U.S. and Canada): 800-463-7766  
Internet website: [www.epson.com](http://www.epson.com)

**Service Programs**  
Two-year projector limited warranty, Epson Road Service program, PrivateLine<sup>®</sup> dedicated toll-free support and 90-day lamp limited warranty

**What's In The Box**  
PowerLite X12 multimedia projector, power cord, computer cable (VGA), soft carrying case, projector remote control, batteries, user manual CD, Quick Setup Sheet, PrivateLine support card and password protection sticker

### Accessory Part Numbers

|   |              |
|---|--------------|
| Genuine Epson Lamp  | V13H010L67   |
| Replacement Air Filter  | V13H134A32   |
| Universal projector ceiling mount                             | ELPMBPJF     |
| Adjustable suspended ceiling channel kit                      | ELPMBP01     |
| False ceiling plate kit                                       | ELPMBP02     |
| Structural round ceiling plate                                | ELPMBP03     |
| Adjustable extension column (pipe) 8" – 11"                   | ELPMBP01     |
| Duet <sup>™</sup> screen                                      | ELPSC80      |
| ES3000 portable screen (ELPSC26H)                             | V12H002S3Y   |
| ES1000 ultra portable tabletop screen                         | V12H002S4Y   |
| DC-06 document camera (ELPDC06)                               | V12H321005   |
| DC-11 document camera (ELPDC11)                               | V12H377020   |
| BrightLink Solo <sup>™</sup> interactive module (IU-01)       | V12H415020   |
| BrightLink Solo interactive module with RM Easeiteach (IU-01) | V12H415020RM |
| Kensington security lock                                      | ELPSL01      |
| AP-60 projector sound solution                                | V12H329020   |
| Component-to-VGA video cable                                  | ELPKC19      |
| Pixie Plus control system                                     | ELPSP10      |
| ELPSP02 active speakers                                       | V12H467020   |

### Packaging Specifications

**PowerLite X12**  
Dimensions 14.4" x 13.3" x 6.1" (W x D x H)  
Weight 9.0 lb

**Genuine Epson Lamp**  
Dimensions 5.5" x 5.1" x 5.6" (W x D x H)  
Weight 0.7 lb  
Master Carton  
Dimensions 26.1" x 11.5" x 6.8" (W x D x H)  
Weight 8.4 lb  
Units Per Master Carton 10

**Replacement Air Filter**  
Dimensions 5.0" x 4.1" x 1.3" (W x D x H)  
Weight 0.1 lb  
Master Carton  
Dimensions 12.8" x 5.3" x 4.7" (W x D x H)  
Weight 1.3 lb  
Units Per Master Carton 10

1 Color and white light output will vary depending on mode selected. White light output measured using ISO 21118 standard.  
2 Data source: ProjectorCentral.com Jan. 2011. Average of 1038 shipping models for which manufacturers provided lumens and total power data, all resolutions and brightness levels.  
3 Lamp life will vary depending upon mode selected, environmental conditions and usage. Lamp brightness decreases over time.  
4 See our website for convenient and reasonable recycling options at [www.epson.com/recycle](http://www.epson.com/recycle)  
5 SmartWay is an innovative partnership of the U.S. Environmental Protection Agency that reduces greenhouse gases and other air pollutants and improves fuel efficiency.